

Etac Relax shower seat

Scandinavian design for the modern bathroom.

Attention to detail

Etac Relax has been designed to ensure a secure and enjoyable shower experience. Design, function and safety are extremely important to us, and this is presented here in the form of a discreet, wall-mounted shower seat. The shape of the seat offers the option of varied sitting positions, resulting in improved access. It is always close at hand, but as it can be folded upwards it never takes up any unnecessary space.

Adapted to your needs

Etac Relax comes in two colours and six different models, which have all been designed to create options specifically for you.



Etac Relax shower seat

- White 81703010
- White, with arm supports 81703020
- White, with supporting legs 81703030
- White, with arm supports and back support 81703060
- White, with arm supports and supporting legs 81703040
- White, with arm supports, back support and supporting legs 81703050
- Volcano grey 81708000
- Volcano grey with arm supports 81708010
- Volcano grey with supporting legs 81708020
- Volcano grey with arm supports and back support 81708050
- Volcano grey with arm supports and supporting legs 81708030
- Volcano grey with arm supports, back support and supporting legs 81708040

Colour

White, Volcano grey

Maximum user weight

With/without supporting legs: 150/125 kg

Material

Seat; polypropylene
 Arm supports; polypropylene and TPE
 Legs; aluminium and stainless steel,
 Ferrules; TPE



Clean the product with a solvent-free cleaning agent (pH level 5–9), or with a 70% disinfectant solution. Can be decontaminated at max 85°C / 185°F if so required.



Features



Large, stable seat

Large and stable seat when folded down and extremely discreet when folded up.



Easy-grip arm support

The shape and material of the folding arm supports provide a safe and secure grip.



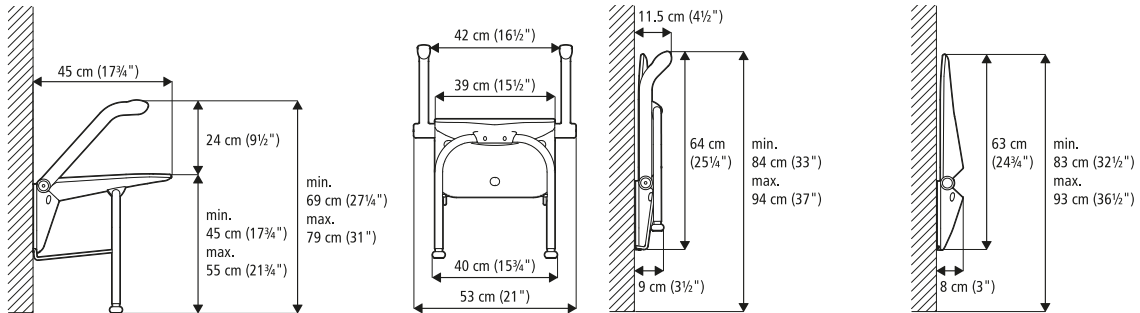
Functional design

The shape of the seat offers the option of varied sitting positions, resulting in improved access.



Easy to fit

As there are only three fixing points, installation is both quick and easy.



Screws/fastener are not included. May be mounted on walls with sufficient load-bearing capacity only. Please ensure that suitable fixtures are used. Mounting of the seat must be carried out by a qualified person. More information in Etac Relax user manual at www.etac.com.

Accessories



Back support, soft

Soft heat reflective back support. Attached to the wall with velcro. White 81704060



Supporting legs

For extra stability and user weight up to 150 kg (330 lbs). Height adjustable 45–55 cm (17 3/4"–21 1/2").

White 81704050
Volcano grey 81708070



Screw kit

For mounting on wood/plywood or concrete walls. The kit includes 3 screws and plugs

84006130